

## Laboratory High Shear Granulation/Mixing System For Wet Granulation and Mixing Processes

### Maximum Processing Flexibility

- 4L and 8L Interchangeable Bowls Included
- User-Defined Settings for Mixer and Chopper Blade Speeds
- Integrated Peristaltic Pump for Precision Solution Addition
- Rated for Solvent-Based Solutions
- Optional Jacketed Bowl for Product Temperature Control

### Portable Self-Contained System

- Quick Change Design – No Tools Required
- Mounted on Casters for Maneuverability
- Integrated Storage Area for Unused Components

### Top Drive Advantages

- Easy Bowl and Blade Removal and Fixed Bowl Lid for Superior Cleaning, Maintenance, and Safety
- Vertical-Shaft Chopper for Improved Granulation

### Engineered Scalability

- Consistent with Production GMX Systems
- Proportional Mixer Blade Tip-Speeds, Bowl, and Blade Geometries

### Color Touchscreen Control System

- Multiple End-Point Detection Parameters
  - Mixer Power
  - Granulation Time
  - Solution Amount Delivered
- Data Collection Port to PC or Printer (Opt.)



*GMX-LAB 10 with 4L Bowl installed. The additional 8L bowl and auxiliary parts are contained within the on-board storage cabinet.*



Self-contained, ready to install, and operator-friendly, the GMX-LAB 10 High Shear Granulator/Mixer offers the only top-drive system of this size with interchangeable processing bowls. The GMX-Lab 10 is engineered with scalability in mind, utilizing product bowl and blade geometries that are consistent with Vector's production GMX systems and adjustable speed settings for matching mixer blade tip speeds. With a standard configuration that includes spare parts, two bowl sizes, solution addition capabilities, a 12-month warranty, and quick delivery, the GMX-Lab 10 provides an ideal solution to your developmental scale high shear mixer requirements.

#### VECTOR CORPORATION

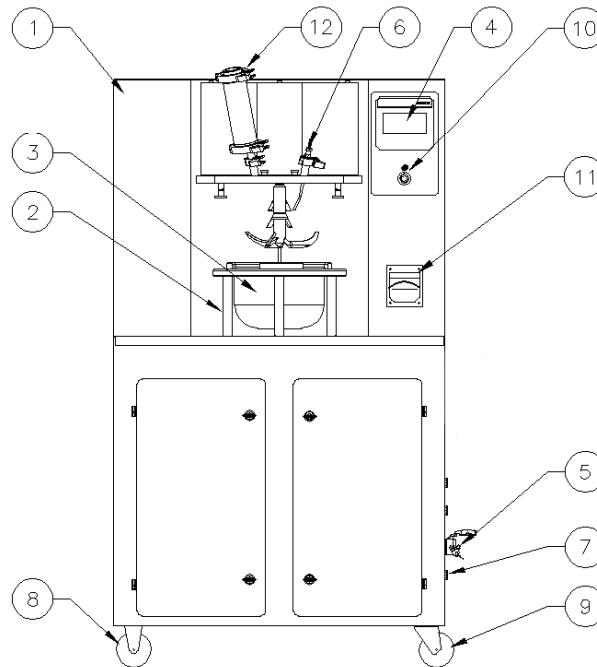
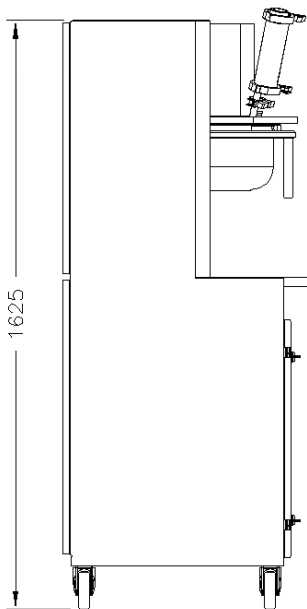
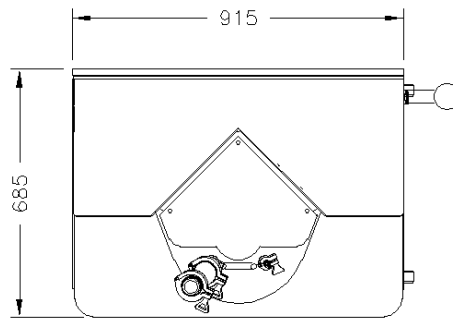
675 44<sup>th</sup> Street, Marion, IA 52302-3800

Phone: 319-377-8263 Fax: 319-377-5574

Email: [vector.sales@vectorcorporation.com](mailto:vector.sales@vectorcorporation.com)

[www.vectorcorporation.com](http://www.vectorcorporation.com)

# GMX-LAB 10



1. Machine Frame
2. Bowl Locking Support
3. Removable Bowl
4. Operator Interface Panel
5. Data Port
6. Solution Port
7. Compressed Air Supply
8. Casters Fixed (Qty. 2)
9. Casters Swivel (Qty. 2)
10. Emergency Stop
11. Peristaltic Pump
12. Bowl Filter

## TECHNICAL SPECIFICATIONS

Bowl Capacities: 4 and 8 Liter	Electrical Supply : 220VAC/ 1 Phase/ 50-60Hz
Working Capacity 4 Liter: 1.3 – 2.7 Liters	Weight: 330 kg (Approx.)
Working Capacity 8 Liters: 2.7 – 5.3 Liters	Design Standards: CE, UL, NFPA, CSA
Mixer Speed 4 Liter: 594 – 800 RPM	Safety Standards: Class 1 Div. 2 and ATEX Zone 2
Mixer Speed 8 Liters: 440 – 660 RPM	

Providing equipment and processing solutions around the world since 1972, Vector is a subsidiary of Freund Corporation located in Tokyo, Japan. Globally, the Freund/Vector team has thousands of system installations in the pharmaceutical, healthcare, chemical, agricultural, and food industries.

### VECTOR CORPORATION

675 44<sup>th</sup> Street, Marion, IA 52302-3800  
 Phone: 319-377-8263 Fax: 319-377-5574  
 Email: [vector.sales@vectorcorporation.com](mailto:vector.sales@vectorcorporation.com)  
[www.vectorcorporation.com](http://www.vectorcorporation.com)



Your Global Equipment and Processing Solution

9/2008